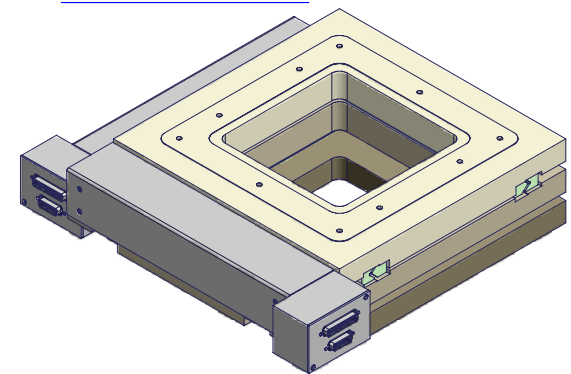
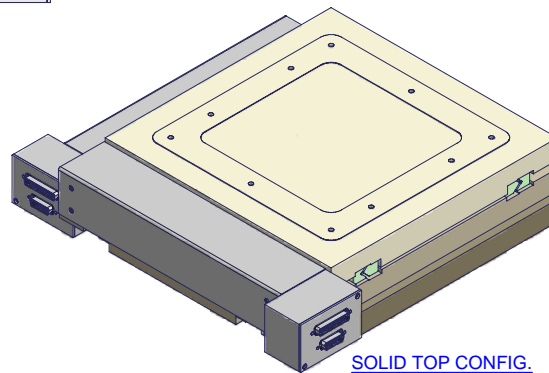


OPEN FRAME TOP CONFIG.

METROSTAGE (MS 150):

Norminal travel distance: 150mm [6.0"]
 Limit to Limit travel distance: 154mm [6.06"]



The foregoing presentation is a non-binding concept for presentation only, submitted for the purpose of soliciting business. Any and all items are changeable and reconfigurable. All data, ideas, concepts, specifications, designs and other pertinent product definitions are proprietary to NUTEC. They are submitted to the recipient in confidence. NUTEC retains all intellectual property rights to product design and concept. Deer Park - New York October 2003

UNLESS OTHERWISE SPECIFIED DIMENSIONS ARE IN MILLIMETERS TOLERANCES ARE: 1 PL. DECIMALS ± .1 MM 2 PL. DECIMALS ± .05 MM ANGLES ± 1/2°	PROJECT NO. MS150		NUTEC [®]	
	APPROVALS	DATE		
MATERIAL:	CHECKED RHS	7/31/06	MS 150 WITH LINEAR MOTOR	
FINISH:	ISSUED		SIZE C	DWG NO. MS-6700-LM
			SCALE	REV 1
				SHEET