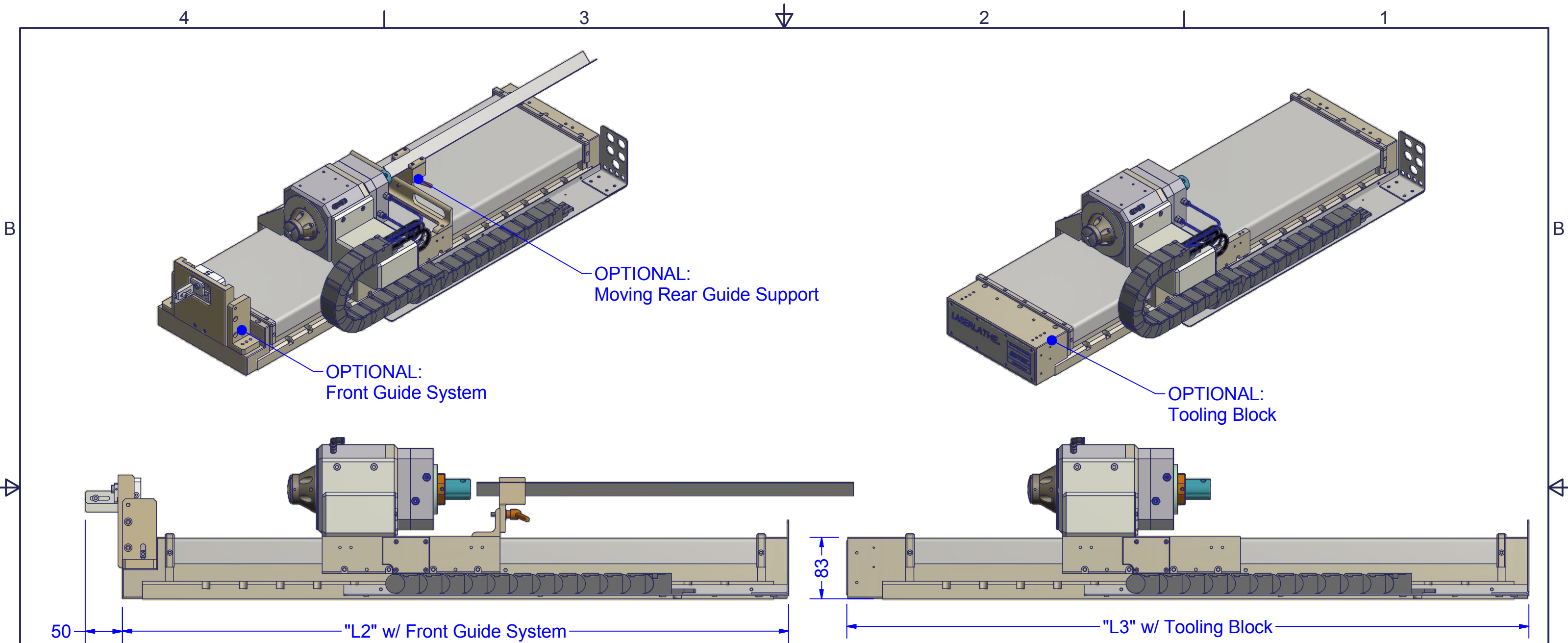


LaserLathe Gen7		
NUTEC P/N	Nominal Travel	DIM "L1"
LL-8999-250	250mm / 10"	624
LL-8999-375	375mm / 15"	752
LL-8999-500	500mm / 20"	880
LL-8999-625	625mm / 25"	1008

*The foregoing presentation is a non-binding concept for presentation only, submitted for the purpose of soliciting business. Any and all items are changeable and reconfigurable. All data, ideas, concepts, specifications, designs and other pertinent product definitions are proprietary to NUTEC. They are submitted to the recipient in confidence. NUTEC retains all intellectual property rights to product design and concept. Deer Park - New York October 2003*

UNLESS OTHERWISE SPECIFIED DIMENSIONS ARE IN MILLIMETERS TOLERANCES ARE:		PROJECT NO.		<b>NUTEC</b> <sup>®</sup>		
0 PL. DECIMALS (X) ± .5 mm 1 PL. DECIMALS (X.X) ± .1 mm 2 PL. DECIMALS (X.XX) ± .05 mm ANGLES ± 1/2°		APPROVALS	DATE			
MATERIAL:	CHECKED	YY	8/14	SIZE	DWG NO.	REV
FINISH:	ISSUED			B	LL-8999-XXX	1
				SCALE	1 OF 3	

SCALE 0.2 SHEET 1 OF 3



LaserLathe Gen7			
NUTEC P/N	Nominal Travel	DIM "L2"	DIM "L3"
LL-8999-250	250mm / 10"	644	664
LL-8999-375	375mm / 15"	772	792
LL-8999-500	500mm / 20"	900	920
LL-8999-625	625mm / 25"	1028	1048

*The foregoing presentation is a non-binding concept for presentation only, submitted for the purpose of soliciting business. Any and all items are changeable and reconfigurable. All data, ideas, concepts, specifications, designs and other pertinent product definitions are proprietary to NUTEC. They are submitted to the recipient in confidence. NUTEC retains all intellectual property rights to product design and concept. Deer Park - New York October 2003*

UNLESS OTHERWISE SPECIFIED DIMENSIONS ARE IN MILLIMETERS TOLERANCES ARE:		PROJECT NO.		<b>NUTEC</b> <sup>®</sup>		
0 PL. DECIMALS (X) ± .5 mm 1 PL. DECIMALS (X.X) ± .1 mm 2 PL. DECIMALS (X.XX) ± .05 mm ANGLES ± 1/2°		APPROVALS	DATE			
MATERIAL:		DRAWN	YY 8/14	SIZE	DWG NO.	REV
FINISH:		CHECKED		B	LL-8999-XXX	1
		ISSUED		SCALE 0.2	SHEET 2 OF 3	

4

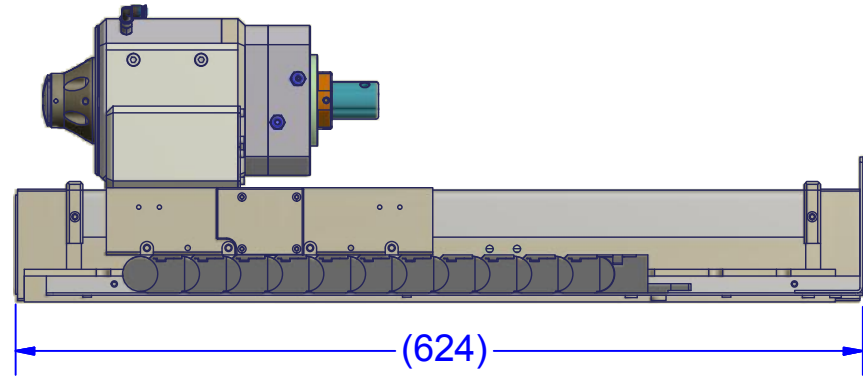
3

2

1

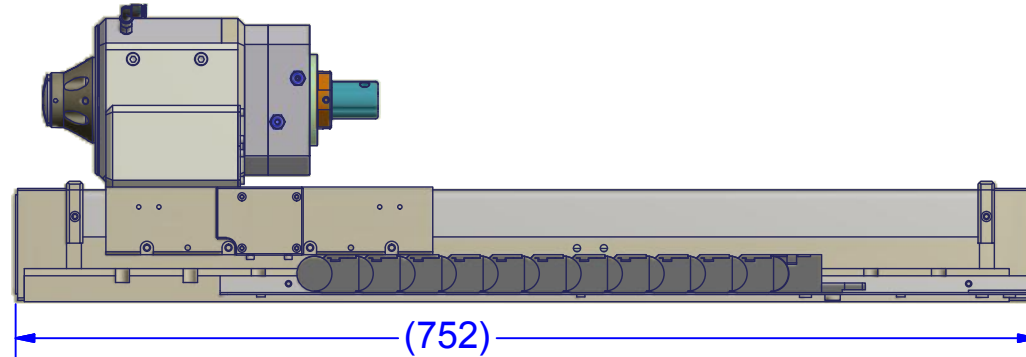
**LL-8999-250**

Nominal Stroke: 250mm / 10"  
Limit to Limit: 256mm



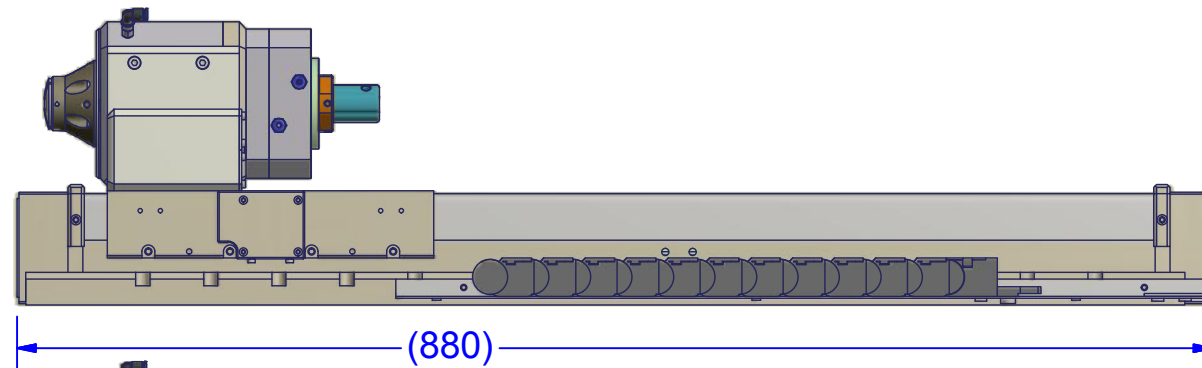
**LL-8999-375**

Nominal Stroke: 375mm / 15"  
Limit to Limit: 384mm



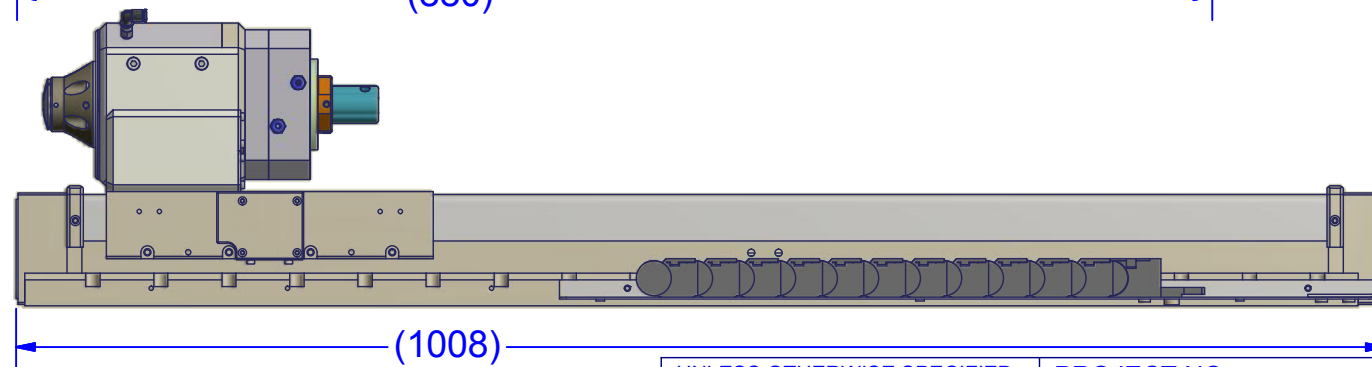
**LL-8999-500**

Nominal Stroke: 500mm / 20"  
Limit to Limit: 512mm



**LL-8999-625**

Nominal Stroke: 625mm / 25"  
Limit to Limit: 640mm



*The foregoing presentation is a non-binding concept for presentation only, submitted for the purpose of soliciting business. Any and all items are changeable and reconfigurable. All data, ideas, concepts, specifications, designs and other pertinent product definitions are proprietary to NUTEC. They are submitted to the recipient in confidence. NUTEC retains all intellectual property rights to product design and concept. Deer Park - New York October 2003*

UNLESS OTHERWISE SPECIFIED  
DIMENSIONS ARE IN MILLIMETERS  
TOLERANCES ARE:

0 PL. DECIMALS (X) ± .5 mm  
1 PL. DECIMALS (X.X) ± .1 mm  
2 PL. DECIMALS (X.XX) ± .05 mm  
ANGLES ± 1/2°

MATERIAL:

FINISH:

PROJECT NO.

APPROVALS

DATE

DRAWN YY

8/14

CHECKED

ISSUED

**NUTEC**®

LaserLathe Gen7

SIZE  
B

DWG NO.

LL-8999-XXX

REV  
1

SCALE 0.2

SHEET 3 OF 3

4

3

2

1