

T-MAX SERIES

Direct Drive Rotary Servo



- Low Profile Direct-drive Rotary Stage
- Smooth Brushless Servo-drive Positioning Motion
- Integrated High Resolution Rotary Encoder
- High Stability Double pre-loaded Hub Bearing System

T-Max™ series of precision, direct-drive rotary servo positioning stages are ideal for today's high-performance technology environment. They are found in virtually all industries where intermittent part indexing, skew adjustment or precise angular alignment, continuous rotation and exact angular positioning is required.

Background

T-Max™ series of precision, direct-drive rotary servo positioning stages are ideal for today's high-performance technology environment. Driven by a powerful brushless, torque motor with an integrated high-resolution rotary encoder system. T-Max provides closed position and velocity feedback, enabling outstanding trajectory control. Built for the most demanding high precision applications, the rotating hub is suspended by large diameter precision ball bearings. This preloaded hub design provides for high load capacity and excellent running characteristics in a space efficient package. The absence of any mechanical contact in the drive components increases life expectancy dramatically and extends MTBF and service intervals. In most installations, this stage has an unlimited service lifetime.

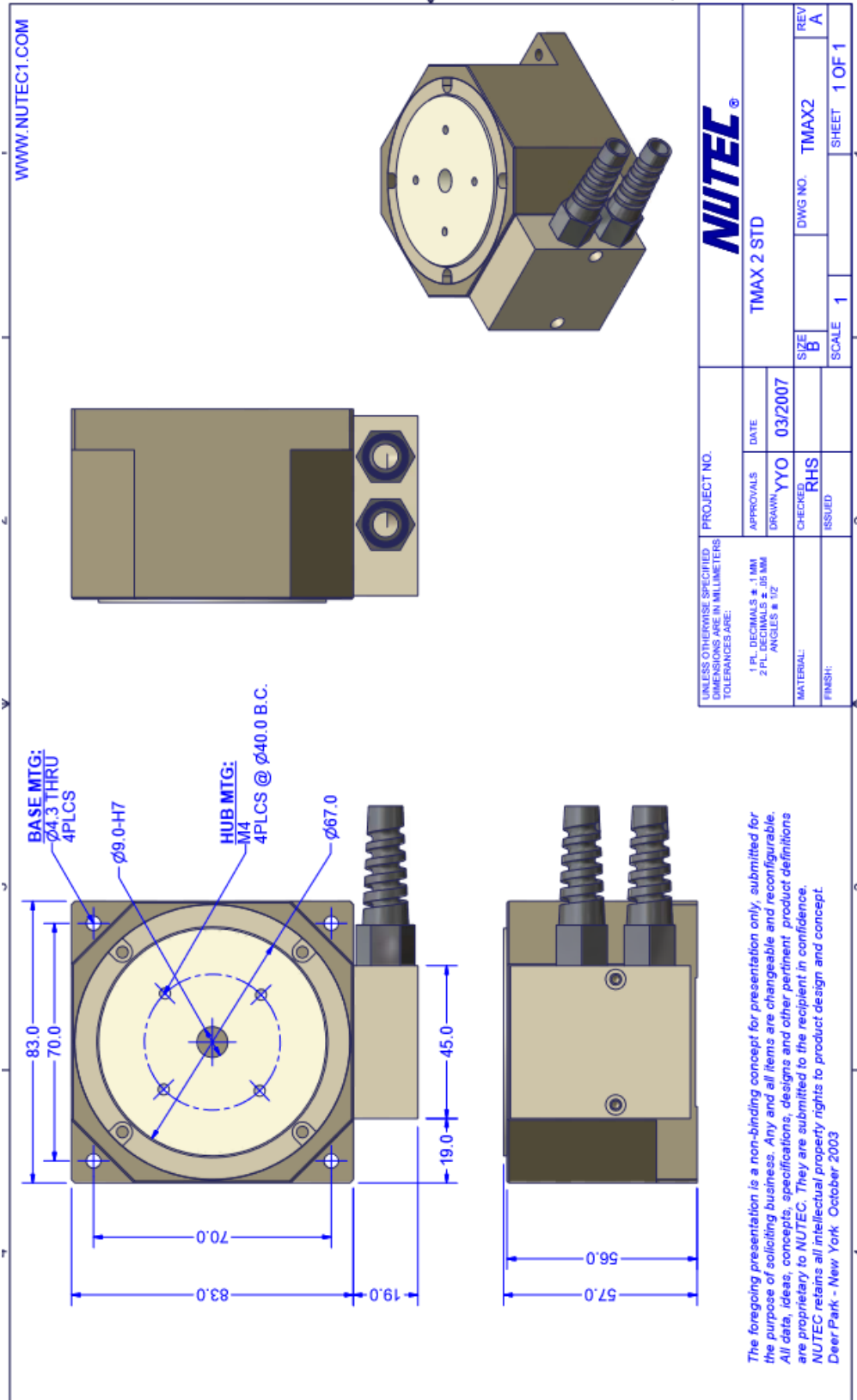
Features and Benefits

T-Max series of rotary stages provide smooth, low friction rotary motions over a large speed range with zero-backlash. These are key advantages in any application where excellent trajectory control is required. T-Max positioning stages operate with low vibration and superior flatness. These are attractive features in any precision application. Closed-loop rotary position control coupled with direct drive technology creates a robust rotating hub with low-hysteresis and remarkable angular resolution. The single piece rotating hub design affords rugged mechanical stability, integrity and increased precision under load. The double preloaded hub with a crossed-roller top bearing and duplex angular ball bearing at the bottom offers extreme stiffness and outstanding dynamic characteristics with low axial and radial run out even at maximum load. A top ball bearing configuration is available for low drag, damping and compliance as an option.

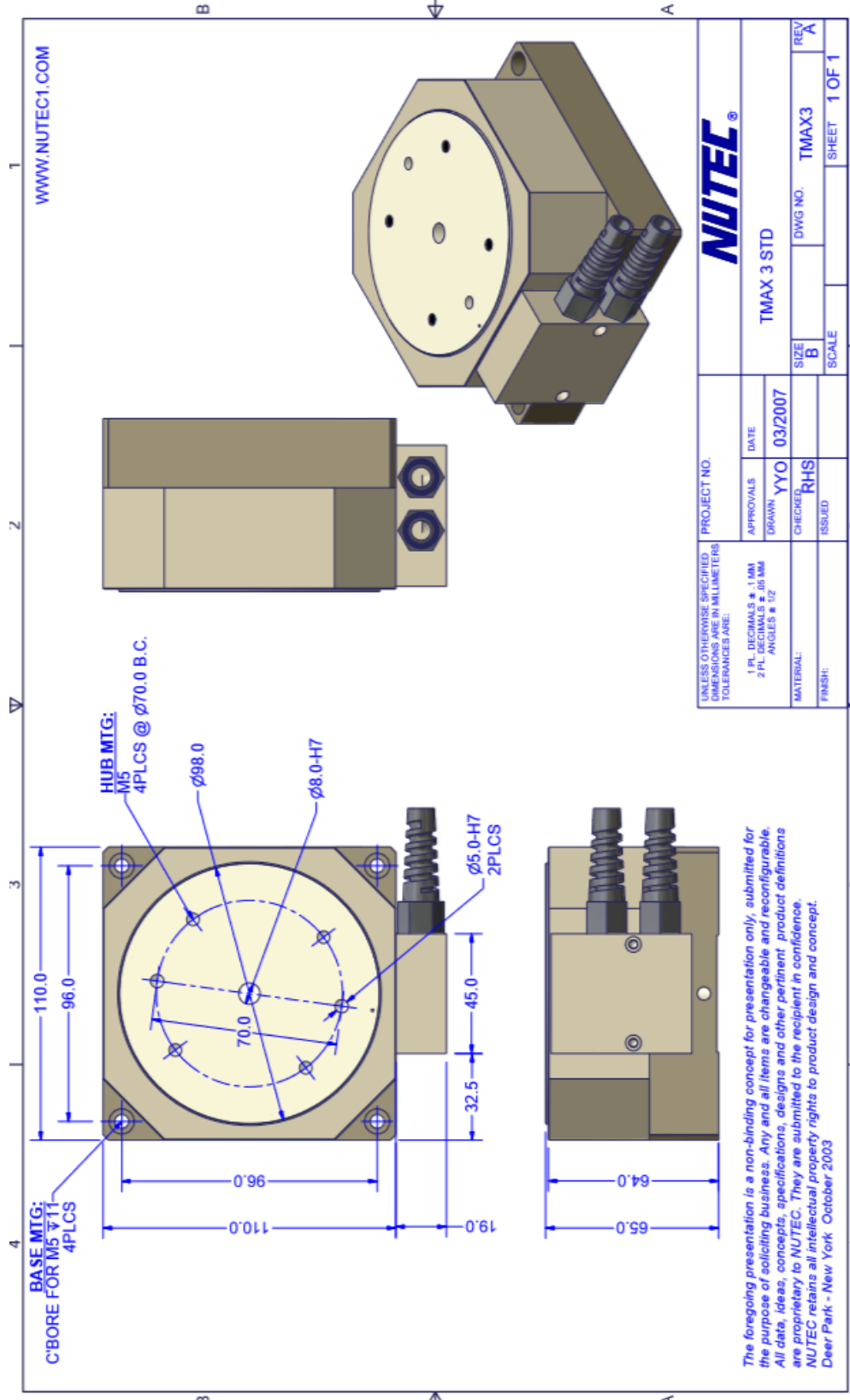
T-Max Series Specifications

Specifications	T-Max 2	T-Max 3	T-Max 5	T-Max 6
Standard Resolution	9 arc sec	1.23 arc sec	2.4 arc sec	0.72 arc sec
HH Resolution	0.9 arc sec	.123 arc sec	.24 arc sec	.274 arc sec
Hub Diameter	67 mm	98 mm	136 mm	150 mm
Aperture Diameter	9 mm	8 mm	38mm	50 mm
Height	57 mm	65 mm	70 mm	80 mm
Payload Axial	10 kg	18 kg	25 kg	35 kg
Payload Radial	10 kg	18 kg	25 kg	35 kg
Continuous	0.17 Nm	0.9 Nm	2.9 Nm	9.7 Nm
Peak Torque	0.53 Nm	2.45 Nm	19.5 Nm	12.5 Nm

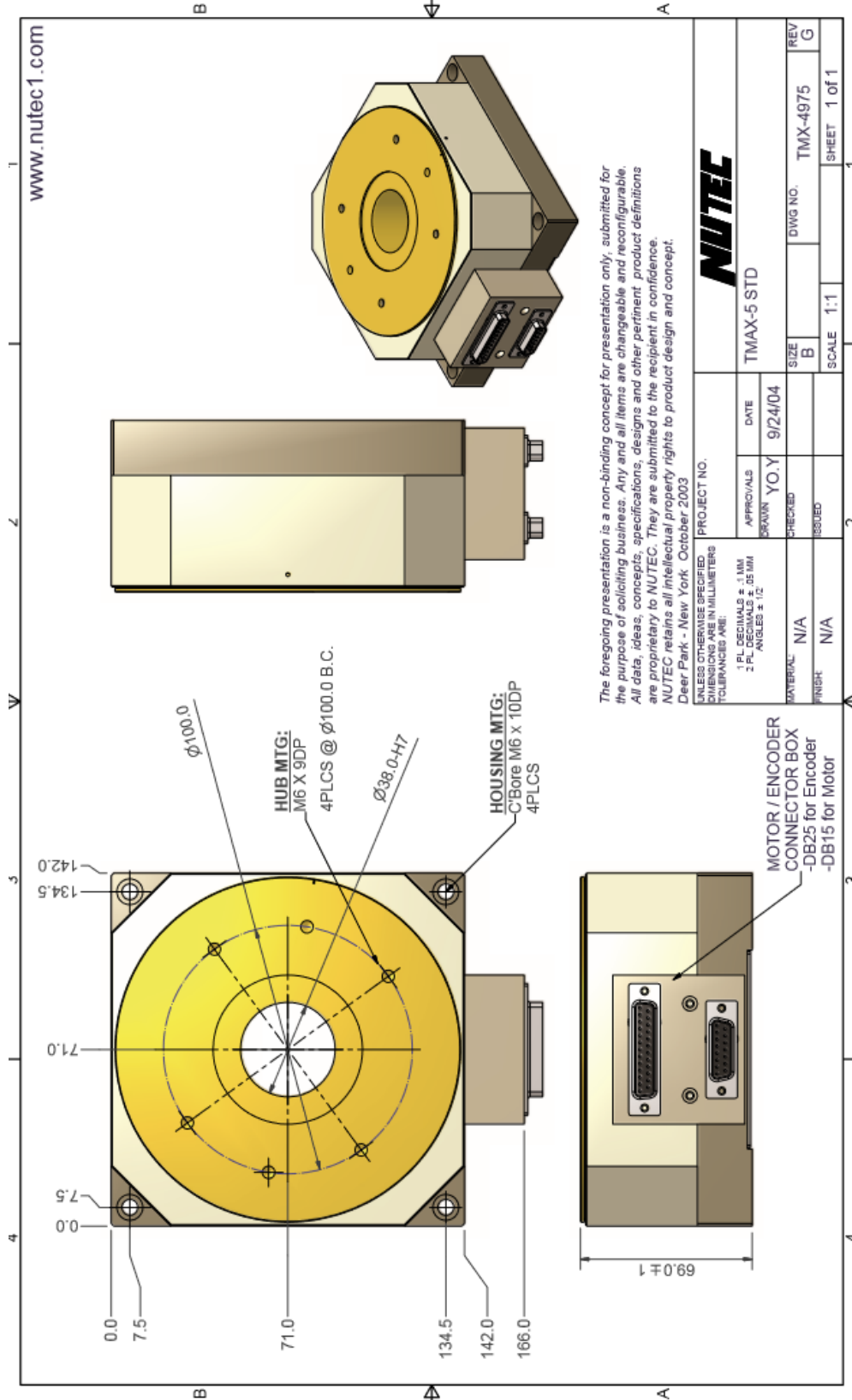
T-Max 2 Dimensions



T-Max 3 Dimensions



T-Max 5 Dimensions



The foregoing presentation is a non-binding concept for presentation only, submitted for the purpose of soliciting business. Any and all items are changeable and reconfigurable. All data, ideas, concepts, specifications, designs and other pertinent product definitions are proprietary to NUTEC. They are submitted to the recipient in confidence. NUTEC retains all intellectual property rights to product design and concept.

Dear Park - New York October 2003



T-Max 6 Dimensions

