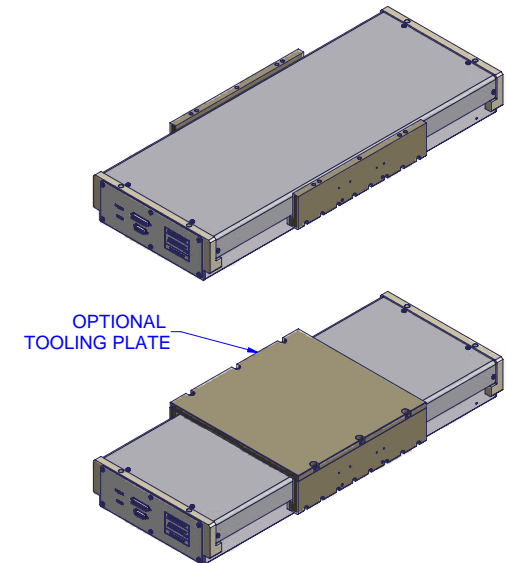
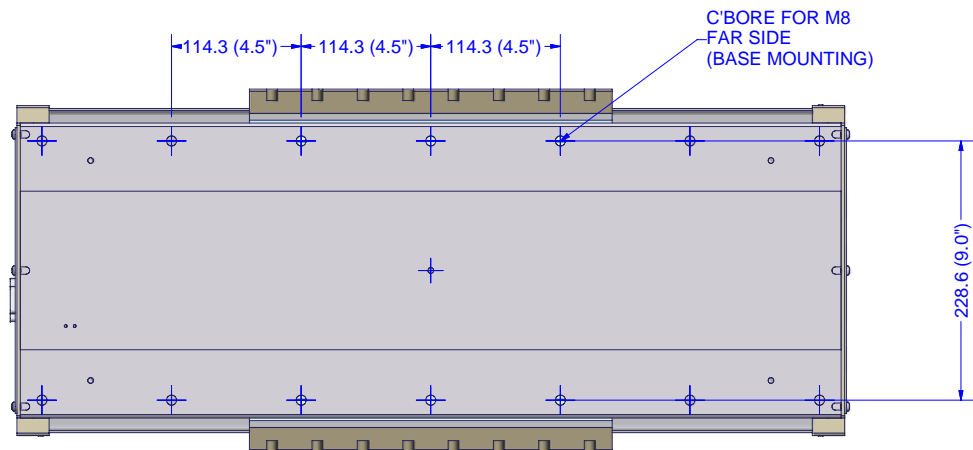
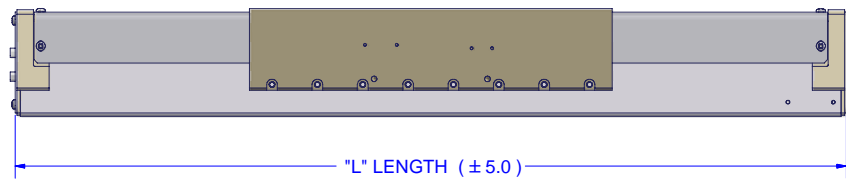


Linearx-10-CLS			
MODEL	Nominal Travel	Max Travel Limit to Limit	"L" LENGTH
LX-10300	300 mm / 12 inch	320 mm	730 mm
LX-10450	450 mm / 18 inch	470 mm	880 mm
LX-10600	600 mm / 24 inch	620 mm	1030 mm
LX-10750	750 mm / 30 inch	770 mm	1180 mm
LX-10900	900 mm / 36 inch	900 mm	1330 mm
LX-101000	1000 mm / 40 inch	1020 mm	1430 mm
LX-101200	1200 mm / 48 inch	1220 mm	1630 mm
LX-101500	1500 mm / 60 inch	1520 mm	1930 mm

\*OTHER SIZES ARE AVAILABLE UPON REQUEST



The foregoing presentation is a non-binding concept for presentation only, submitted for the purpose of soliciting business. Any and all items are changeable and reconfigurable. All data, ideas, concepts, specifications, designs and other pertinent product definitions are proprietary to NUTEC. They are submitted to the recipient in confidence. NUTEC retains all intellectual property rights to product design and concept. Deer Park - New York October 2003

UNLESS OTHERWISE SPECIFIED DIMENSIONS ARE IN MILLIMETERS TOLERANCES ARE:		PROJECT NO. LX10-CLS			
1 PL. DECIMALS ± .1 MM 2 PL. DECIMALS ± .05 MM ANGLES ± 1/2°		APPROVALS	DATE		
MATERIAL:	CHECKED RHS	DRAWN YYO		SIZE C	DWG NO. LX10-CLS
FINISH:	ISSUED			SCALE N/A	SHEET 1 OF 1
				REV A	