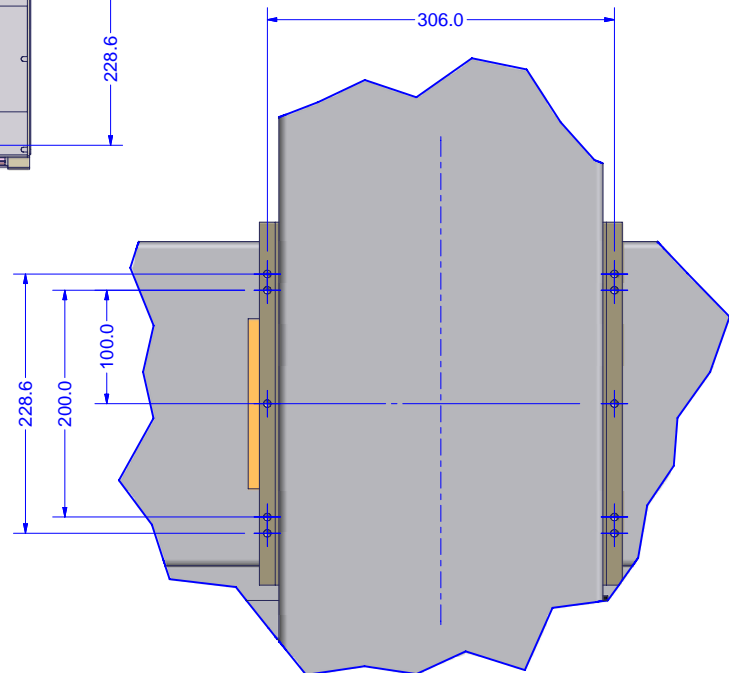
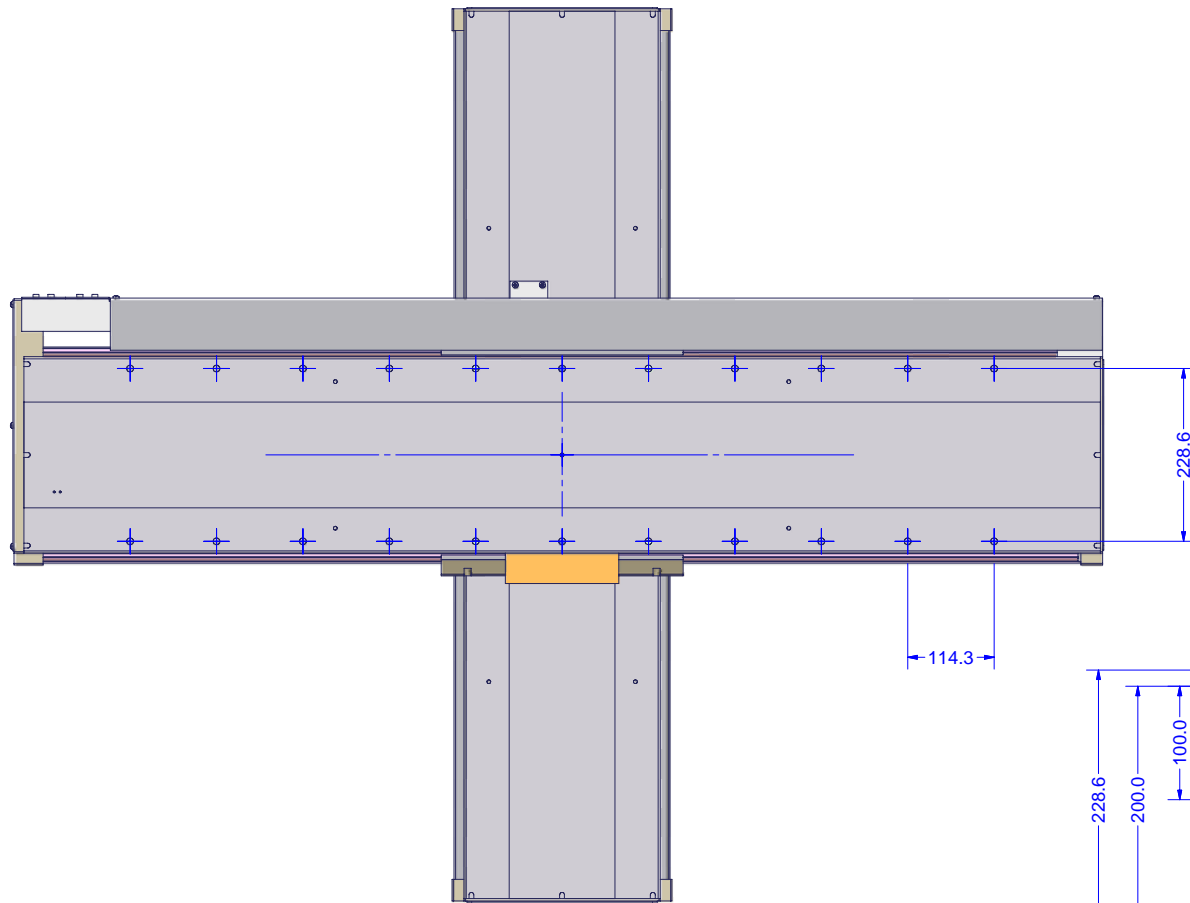
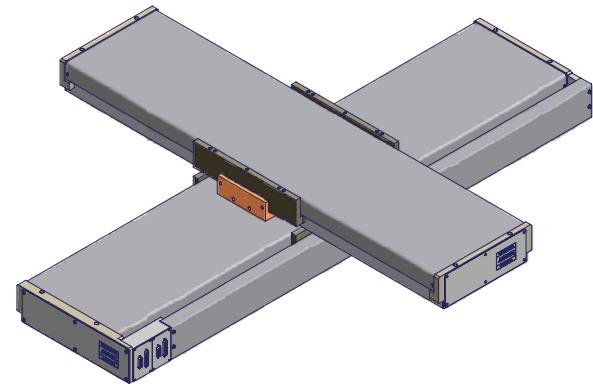


The foregoing presentation is a non-binding concept for presentation only, submitted for the purpose of soliciting business. Any and all items are changeable and reconfigurable. All data, ideas, concepts, specifications, designs and other pertinent product definitions are proprietary to NUTEC. They are submitted to the recipient in confidence. NUTEC retains all intellectual property rights to product design and concept. Deer Park - New York October 2003

UNLESS OTHERWISE SPECIFIED DIMENSIONS ARE IN MILLIMETERS TOLERANCES ARE: 1 PL. DECIMALS ± .1 MM 2 PL. DECIMALS ± .05 MM ANGLES ± 1/2°	PROJECT NO.		NUTEC [®] LX 10 CLS XY 750x1000	
	APPROVALS	DATE		
MATERIAL:	CHECKED	SIZE	DWG NO.	REV
FINISH:	ISSUED	SCALE	LX10-CLS XY	A
			SHEET	1 OF 2

MTG HOLES FOR BASE: C'BORE FOR M8, FAR SIDE



MTG HOLES FOR SADDLE: M8, 10PLCS

The foregoing presentation is a non-binding concept for presentation only, submitted for the purpose of soliciting business. Any and all items are changeable and reconfigurable. All data, ideas, concepts, specifications, designs and other pertinent product definitions are proprietary to NUTEC. They are submitted to the recipient in confidence. NUTEC retains all intellectual property rights to product design and concept. Deer Park - New York October 2003

UNLESS OTHERWISE SPECIFIED DIMENSIONS ARE IN MILLIMETERS TOLERANCES ARE:	PROJECT NO.		NUTEC [®]	
	APPROVALS	DATE		
1 PL. DECIMALS ± .1 MM 2 PL. DECIMALS ± .05 MM ANGLES ± 1/2°	DRAWN	8/25/06	LX10 CLS XY 750x100	
MATERIAL:	CHECKED		SIZE	DWG NO.
FINISH:	ISSUED		SCALE	LX10-CLS XY
				SHEET 2 OF 2